

T/MAGAZINE

2021/22 NO. 1

by *Industria*



8 - 11

New in Leuven

18 - 19

Go Global

20 - 21

Bloedseriesweek

23

PAL

30

SDG

Table of Content

Edition 1 - NOVEMBER



INDUSTRIA



INDUSTRIAVZW

4

*Dear
Industrians*

8

New in Leuven

12

Who Are We

16

Lustrum

18

Go Global

20

Bloedseriesweek

22

Alma

23

PAL

24

Horoscope

27

Puzzles

30

SDG

31

Junior Orsi

Dear Industrians

We have all had to sit on our hands for a long time. Both the experienced Group T student and the freshmen who will now start their student career. At Industria, we also missed this enormously, the interaction with the students, the fantastic parties and cantinas, the joy on your faces, etc. Now that the prospects are much more positive, we are ready with Industria to make this an unforgettable year. We are going to make sure that you can party again at our festival, Project L, that freshmen can get to know each other at EJW-activities, that you can meet companies at our Jobfair and that you can walk Industria to the 5th place at the 24 hour race.

On top of this, we will celebrate our 60th anniversary with you through extra Lustrum activities. To stay up to date with what Industria has planned for you, keep an eye on our website. This will serve as the central hub where you can find all information about Industria and its activities. Both registration links and extra info will be available here for you. Would you like to lend a hand somewhere by shifting, help writing these T-magazines or just make suggestions for activities. Do not hesitate and contact us.

Here's to a fantastic year, packed with crazy activities, to make up for the previous two years.

Dante Van Oeteren (Praeses 60ste werkingsjaar)



The Beer Flows



The beer is flowing through the taps again, groups of friends are chatting at the bar, the party lights are on again until the early hours... In short: Leuven is alive again! And there is no better place to celebrate than in Fakbar De Recup, the fakbar for students of industrial sciences and psychology. This year again, a group of motivated students is ready to provide you with unforgettable student nights. As before, you can come to us for great parties, delicious drinks, and an unparalleled atmosphere. Starting the first week of this academic year, we will be open every Sunday through Thursday night, from 6pm until the early hours (9pm on Sundays). Be sure to follow our facebook page for updates on the daily promo, our events, and other important stuff. Besides all the partying, are you interested in joining us behind the bar? Or are you an ambitious DJ and would you like to show off your skills in the Leuven nightlife? Then be sure to send an email to medewerkers@derecup.be, or a Messenger message to our staff manager Csilla Süle. We welcome you with open arms! We hope to see you as soon as possible! And don't forget:

kies wijs, kies Recup!

II.

NOVEMBER

M

T

W

1

2

3

8

9

10

How to Sell Yourself

PAL Tutors Sessie
IFR: Rockparty
Thema Avond

Proffentap

15

16

17

Go Global Week

PAL Sessie 2
Duvel Night

22

23

24

Exellys - LinkedIn
PAL Sessie 2

Pasta pesto + bacon
BSA
Sector Night EA

Getting Connected
IFR: Voorronde 1

29

30

1

IFR: Voorronde 2

Kermis BSA

Sector Night EM.

2021

T

4

 Spiraal Quiz

F

5

 International Fakparty

S

6

S

7

11

12

13

14

18

19

20


21

 Doop Alumni Golf

25

 Psycho x Industria
Food Cantus Knorr Potball

26

 International Alumni
Reunion

27

28

2

3

 Wine and Cheese
Evening

4

31

New in Leuven Feat. Jethro

Whether you're a new student in Leuven or you haven't explored the city for along time due to corona, it's always much needed to have a basic understanding of what you can visit in Leuven to pass the time. That's why I'm giving you information about the best places to visit to studying, going out or just having a nice meal.



I WANT TO STUDY!

Every student needs a suitable place to hit the books, be it for the ingenious studious person or the raving partygoer who needs to get a last-minute exam in his head. Here are the top 3:

PBIB

The PBIB is the best place to quickly go through a chapter or get a group work in order, and for a reason: It's right next to our campus! To get there, simply walk into the VHI until you see a larger door. Once inside, you can sit down in the quiet room on the ground floor or gather with your teammates in the downstairs area to experience the group part of Engineering Experience.

EBIB

The economists' library is a second favorite to study in. Especially during cramming season, you'll usually see around 50 people lining up here to get a seat. The main points of conviction? An outdoor space to play cards or eat a snack, bright group rooms to study in and a location next to the City Park for a brisk walk.

AGORA

The Agora is in third place. This complex contains everything the EBIB has but to a much more extensive degree. Therefore, this library is usually crowded with students of all orientations, and it can quickly become too busy. Nevertheless, this is an excellent space on quiet days for the same reasons as the other libraries.

I WANT TO PARTY!

All the work that accumulates throughout the year can give many a student the urge to go out and party. Therefore, the best places are listed here.



RECUP AND OTHER FAKBARS

It's impossible to give recommendations without putting Recup first. In this fakbar, the prices are the cheapest and the atmosphere is the best so the party is always great. Ideally, this should be the first option you consider as a regular bar, but should it exceptionally not be open you can always try the other fakbars. Worthy mentions are the neighboring cafes (Politika, HdR) and the Dulci.



FARAO

During the vacation months, the fakbars are closed. Of course, this doesn't have to stop you from choosing a nice cafe to drink at! And for that, the Farao is an appropriate choice. Cheap pints and a list of specialty beers to say hello to, this pub is the best value-for-money option on the Old Market. And what's best about it? The Farao has its own foosball table that you can spend countless hours at!

DE KROEG

De Kroeg is a standard pub as you would expect it to be: a limited selection of drinks, a sober atmosphere and a smaller terrace than the more exotic places. However, there is one thing that sets them apart from the rest: 33cl beer can be bought at the same price as those of 25cl! So it's ideal for those who need a place to go pre-booze.





I JUST WANT TO EAT GOOD FOOD!



LOEMPIALAND

Cheap, tasty, and close by. What more do you need? Loempialand offers a range of loempias and side dishes for an evening of exotic feasting. What is sure to please is their specialty of 5 loempias for 1(!) euro.



DE WERF

If you're a little hungry or just want to be social with friends there is the chat cafe De Werf. Here you can enjoy delicious wraps and tapas in a colorful setting. Perfect to start the evening with! Or you can always go on a date...



BABO'S

There are many burger restaurants in Leuven. But Babo's is one that students can really enjoy. This is because they serve the burgers in bite-sized form, unlike the other restaurants where the burger often has to be eaten with fork and knife. Also, the burgers are of higher quality than fast food restaurants, and thus well worth their price.

Student Association Industria

The Industria logo and shield will certainly be things you've already seen. But what the goals of and the people behind Industria are, is often a little less known. In this short introduction to Industria, these questions will be answered as good as possible. But if you still have unanswered questions or just want to get to know us personally, don't hesitate and definitely come into the Industria room or approach a member of the Industria team!

Who we are

Industria is the student association of the industrial engineers studying at Group T Campus Leuven. All team members of Industria, also called the praesidium, are students. But even some graduates still help out with various aspects because they just can't say goodbye! So Industria is an organization for and by students!

Just as most organizations have a concrete goal, Industria does too. We set ourselves the goal of representing the interests of all students at our faculty. Thus we want to help the student with his/her/their studies, his/her/they cultural development and his/her/they general development. In addition, we also want to provide the student with the opportunity for playful, cultural, sporting and student-centered recreation. Concretely, we try to achieve this goal by participating in various interfaculty sports competitions, organizing fak parties, providing coursebooks, organizing large events such as a gala and a job fair and much more!

Overview functions

The Industria team consists of several working groups, each of which is responsible for accomplishing a specific set of tasks.

Praeses

The praeses, or also called the president, is the face of Industria to the outside world. The task of the praeses is to lead the team and steer it in the right direction. This year's praeses is **Dante Van Oeteren**.

Vice-Praeses

The Vice-Praeses is the vice-president. The task of the Vice-Praeses is to ensure an efficient and pleasant internal functioning of the praesidium. For example, this person is often the first point of contact, must solve internal problems, and organizes teambuilding's. **Emily Gyselinx** will take on this task this year.

Quaestor/treasurer

The quaestors or treasurers manage the money of Industria. They ensure that the activities that need a budget are provided for and that this all happens in a correct way. This year our quaestor duo consists of **Alexander Herbots** and **Adriaan Francois**.

Ab Actis

The Ab Actis takes care of the necessary order and structure in the reports of many different meetings and the shift lists. In addition, this person ensures that the rules noted in our statutes and internal regulations are closely followed at meetings. The person that takes on this task for this year is **Arent Steeno**.

Schachtenmeester/ first year operation

The transition from secondary education to the first year at university can sometimes be very difficult. For that reason, the first year operations team does their utmost best to make this transition as easy and pleasant as possible. This team consists of **Mazarine Boelen, Liselotte Meerseman, Fara Ulenaers** and **Thomas Luyten**. The Schachtenmeester, Thomas Luyten, is in charge of the traditional aspects of the freshman life. These are things like hazing, cantus-related traditions, etc.

Ontspanning

A good balance between work and relaxation is important. With that thought in mind, the Ontspanning team provides activities such as fak parties, cantuses, BSA's (blue stone activities) and more! This year this motivated team consists of **Sofie Delaet, Marie Van De Weyer, Jelle Smolders, Robbe Hollevoets, Seppe Van De Plas** and **Nick Colson**!

Sport

The sports team is responsible for providing sports activities and for making sure Industria gives 100% at all interfaculty competitions. The first and biggest activity for which the sports team is responsible is the 24 hourrun and the accompanying runtrainings! This year's motivated sports team consists of **Ebert Kiekens, Astrid Van Kerckhoven, Anton Van Lieshout, Jad Haddad** and **Mathilde Blanc**!

International

Our Campus Group T is a very international one. This also means that we have to make sure that the international students feel completely at home in the beautiful Leuven! The international duo **Robin Janssens** and **Vedic Kalia** will do their utmost to achieve this!

Lustrum

The lustrum function is a special function in the respect that it does not exist every year. This function has the sole task of celebrating our lustrum year. And that lustrum year is something that only occurs every five years. So in this year, when Industria turns 60, the lustrum team will make sure that our birthday will not go unrecognized! **Mats Vandemeulebroucke** will take on this function.

Communicatie

Organizing activities is one thing. Making sure the right people know about them is another. Managing our social media and making all the designs we need for T-shirts and images is part of the job description of the communications team! **Rosário Baylina, Arne Basteijns, Abdel Naser Abdo**, and **Thomas Declercq** make up this team!

Business Relations

The Business relations team is responsible for contacting companies to establish collaborations, organizing sector nights and the job fair. Making these collaborations also provides a revenue stream that is crucial to the operation of Industria. The Business Relations team, which consists of **Pauline Vanvuchelen, Margaux Devos, Wout Rubbrecht** and **Maxime Gerits**, thus plays a major role in the future of many students and in the functioning of the praesidium

Recup

Recup is our beloved fakbar that we, Industria, share with the Psychologische Kring! Recup itself is an association in its own right. Each year, two people of the Recup team are stationed within Industria to facilitate communication between the two associations. This year **Stijn Hofkens** and **Cian Borman** do this.

Kursusdienst

An invaluable aspect of studying is of course the large number of textbooks, manuals and exercise books. The team that makes sure all students at Leuven Campus Group T have this study material is called the Kursusdienst. This team consists of **Stijn Smeets**, **Rebecca Tang**, **Tiso Van Ooteghem** and **Wiktorija Radecka**.

Support

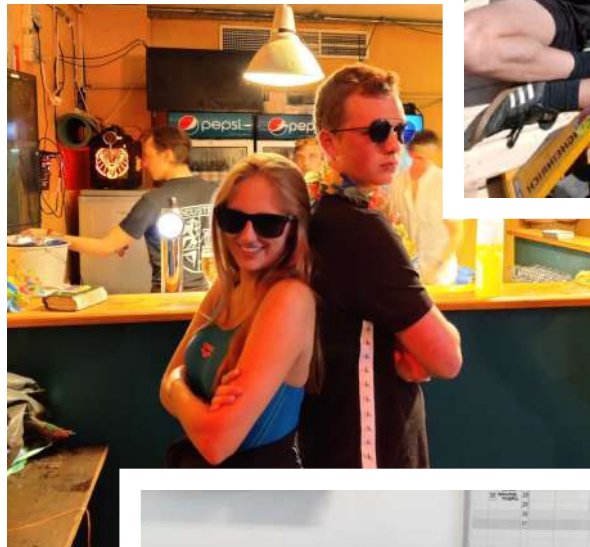
Cooking pots, led spots, sports equipment and tools are just the tip of the mountain of material needed to realize the activities of Industria. To maintain all this material and to keep it in an orderly fashion there is a specially assigned team. This team is the support team and this year consists of **Romain De Smedt**, **Jelle Cuypers**, **Yarne Billen** and **Jethro Young**.

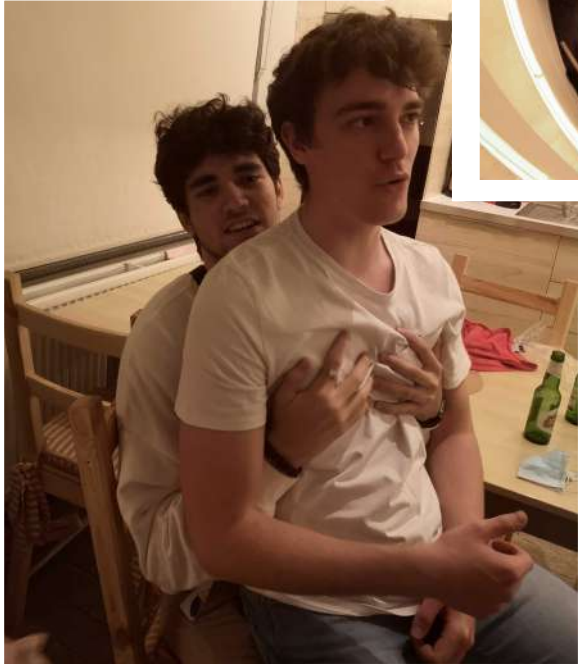
Cultuur

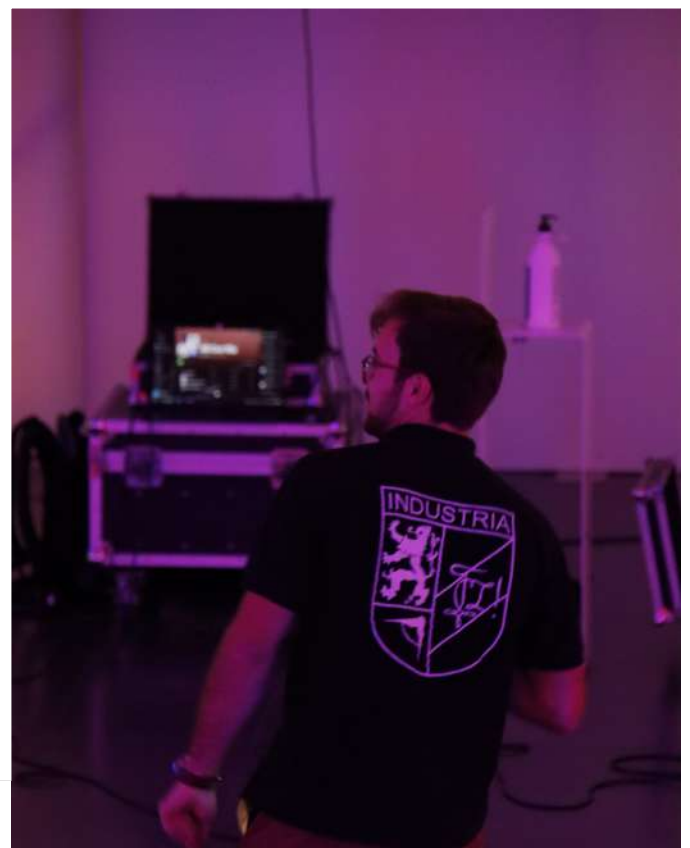
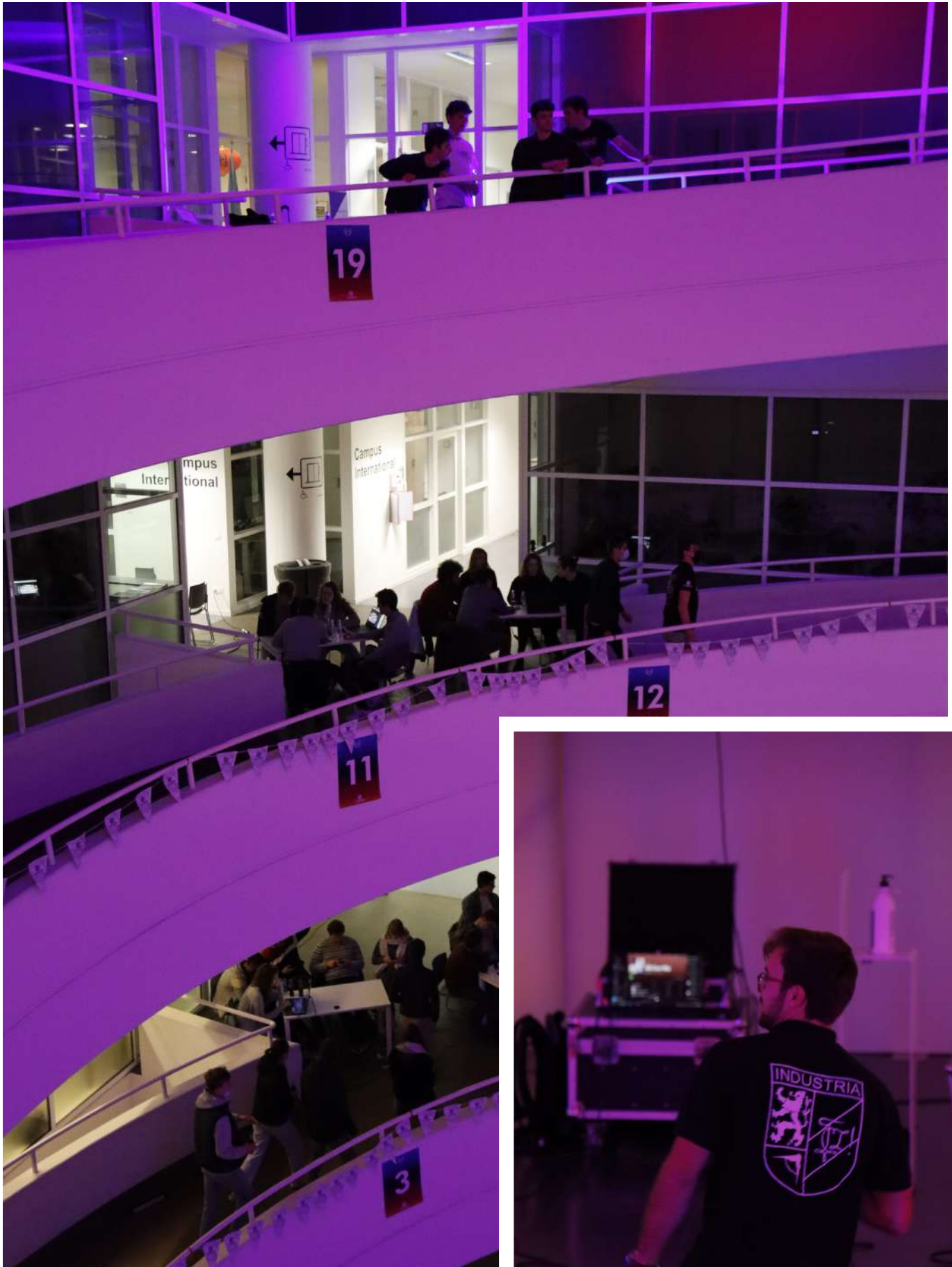
Cultural development is something that can happen in many ways. On the one hand through a brewery visit, on the other hand through comedy nights or culture trips. The culture team will do their utmost best to make these activities unforgettable!

Events

An unforgettable kickoff event, a magical gala and a crazy Big Jump Run form the basis of the tasks of the events team. They are responsible for arranging artists, the light and sound system, a beautiful decoration and much more. This year **Bjorn Hamakers** and **Jef Suy** form this team!







Lustrum Year

A year for the history books

During this academic year, Industria's and Group T's 60th anniversary will be celebrated! This celebration will take place throughout the year and is aimed at all our students, alumni and Group T enthusiasts. The activities that will be organized range from an ice cream truck to a light show. In addition, theme nights will be organized. On these theme nights, specific subjects will be presented by speakers and a nice reception will be provided as well!

The lustrum celebration takes place every five years. For that reason, every year a budget is set aside so that in the lustrum year itself we can organize these great events and activities! This year, it is Mats Vandemeulebroucke's responsibility to oversee the organization of the festivities. But, the entire presidium of Industria will help with organizing, coming up with ideas, filling in shifts and much more! We hope to see you all at these festivities and that you will enjoy them to the fullest! The events listed below are definitely ones you can expect! Look out for additional events and fun extras as well!

1st Semester

- Week 6** Lustrumquiz
- Week 8** Thema Avond : The Engineer & the entrepreneur
- Week 10** Group T by Light
- Week 11** Lustrum Fakparty

2nd Semester

- Week 1** Thema Avond : the engineer & the researcher
- Week 5** Thema Avond : the engineer in the circular economy
- Week 7** Lustrum Cantus
- Week 7** The Big Buildoff
- Week 8** Familiedag
- Week 10** Ijscowagen



Go Global

Leuven, the home of the famous Stella Artois, has ample student housings, recreational opportunities, beautiful campuses and a great nightlife which make it a perfect city for international students. The Go Global week, an initiative of the science, engineering and technology student unions of KU Leuven, is organized every year to tell students about the various opportunities offered by our university to have a perfect international experience. The main objective during the week is the promotion of international education to students inside and outside of Belgium, but also to bring them closer together. The unions and KUL organise a wide assortment of information sessions and unique cultural activities.

Whether you are an international student already studying in Leuven, or a local student who can't wait to receive an international experience during his or her student career, this week is most certainly something to look forward to! During the various information sessions, students will be able to gather more information about Erasmus and the international programs of KUL. Experts will be available to answer any questions regarding the organisation and planning of such an undertaking. Students who have already had international experiences will also be present to answer questions and give advice on how to plan your Erasmus year in your preferred destination!



GO GLOBAL

15 - 19 November 2021

As the influx of international students who opt for a course within the faculties of KUL increases, the objective of uniting the International and local students becomes more important than ever, especially the case for Groep T, where the amount of students in the international bachelor course has been growing at a steady rate the past few years. The two groups have to become more knowledgeable about one another through the common courses and the activities organized by the various unions. Arranging activities in which students may learn about different cultures and express their own is an essential step in the right direction.

As per tradition of the International team, an amazing food exhibition will be organized in the Atrium of Groep T. After a tough year and a half with the covid restrictions, the international team promises a great exhibition with unique board games from all around the world. A world map will also be placed in the Atrium where the students will have an opportunity to mark the countries they are from and the destinations where they would like to go for Erasmus.

Through this activity, students will be able to find peers who are from the same country or would like to go to a similar Erasmus destination and form new friends! The international team of Industria is already looking forward to hearing from you at one of the events. You never know whether one of the activities will create that necessary spark and convince you to kickstart your very own academic international adventure.

All necessary information will be shared on the Industria page, but also on the Go Global website: <https://www.kuleuven.be/go-global>. In conclusion, don't forget to mark the Go Global week; 15th to 19th of November, in your agenda!

Bloedserieusweek

From the 15th to 18th of November you can become a hero and save lives. How? Come and donate blood at the Bloedserieusweek! All our donors will be pampered with cookies, drinks and a free goodie-bag.

Convinced? Make sure to check the conditions for donation via <https://www.rodekruis.be/en/> and register via bloedserieus.be/en/cities/leuven. For more information, go to our Facebook: Bloedserieus Leuven.



Where?

You can donate in different time slots and locations:

Mon & Tue: 10h30
- 20h00 Ladeuzeplein

Wed & Thu: 10h30
- 20h00 Gymnasium, (University Sports Centre)

Mon - Thu: 10h30
- 20h00 Donor Center (Gasthuisberg)



Want to join the team of bloedserieus and help organise the bloedserieusweek? Be sure to send us a message via bloedserieus@leuven.be or send a DM to our Facebook page!

Be there or be square!

The team of Bloedserieus



Eerste hulp
na bloeddonatie



#ageefbloed

Alma Groep T

After a year and a half away from our beloved spiral, we are finally allowed back in our campus, which would not be complete without our very own Alma! Right as the semester starts, Alma will be back in its full glory with all the snacks and dishes we so grew to know and love.

Alma Group T is situated in the first floor of the campus, on the left side of the spiral. There you can always count with the lovely smiles of Gerda and ... as you buy your breakfast, lunch or afternoon snack. Alma student restaurants have been feeding students since 1954, but the one that you can now find in Group T has been opened since 2019. The menu and the opening hours can be found both on their website and on your Quivr app, so be sure to set Alma Group T as your favourite cafeteria!

Alma has a great variety of food to offer, for all tastes. In the morning, you can count with a full stand of pastries such pain au chocolate, croissant and other sweet delicacies, accompanied by a nice coffee or tea. It is of course at Alma that you can find the famous worstbroodje (sausage bread!) snack, as well as great empanadas and paninis. If you are in the mood for a more consistent lunch, every day there's a different selection of pastas. Alma always has veggie options! If you are in a hurry, the cold section located on the right-side of Alma might be for you: here you can find wraps, ready-made sandwiches, yogurts and drinks. And if none of the above seem appealing to you, perhaps the salad bar at the back is more your speed. It never disappoints!

Alma also has a lot of place to sit on the backside of the campus, next to the aula, so you can enjoy your delicious food in good company and cosy space.

OPENING HOURS



Monday 7h30 - 16h

Tuesday 7h30 - 16h

Wednesday 7h30 - 16h

Thursday 7h30 - 16h

Friday 7h30 - 16h

WIN WIN

Industria is very glad to come back to campus with an open Alma, and to celebrate this, we have a small sharing challenge for you! Post a story of you with your favourite Alma snack, tag @industriavzw with the #AlmaKULLove and #almakuleuven and get the chance to win one of three vouchers for Alma offered by Industria. The challenge ends on the 15th of November, so start planning your picture. The winners will be announced on the 19th!

And if you are ever at Alma, don't forget to say Hi to all the Industria members who will most definitely be enjoying to have Alma opened again.



PAL

We all remember what it was like to arrive here for the first few weeks as new students with a small heart. Fortunately, you had Industria and studforum to help you through that first year, (and all the others after that too). Because of the change in the program for Industrial Engineers at KUL, the current freshmen can no longer fall back on the thousands of solutions and summaries we all used. So, in short, they

could use some extra help. Therefore, we would like to ask you, as firstyearworking from Industria, to help us with a new initiative: PAL. This stands for Peer Assisted Learning and is based on the principle that students help each other. Concretely, this means that one of you senior students will get together 2 to 3 times per semester here at Group T with a small group of first year students. During those sessions, you would then work on exam exercises together for a course that is notoriously known to be difficult. In this way, the freshmen are already encouraged to make exercises at a higher level while they can also ask questions. Of course, we won't let you tackle this on your own completely. We from Industria and the Student Council provide a short training course on how to do this and will always be present during the sessions. You can prepare the exam exercises together with the other tutors in advance. To give you some extra motivation to participate, the tutors will be compensated for their work with Recup tokens. So be sure to keep an eye on our Facebook page and Industria website for updates. Hope to see you all soon during the training course!



PAL Tutor sessie

9/11 at 18h15 - Group T

Horoscope

Libra



Libras will be particularly influenced by Mercury so they feel completely calm and peaceful. You will be able to resolve all conflicts quite easily and everyone will be extremely grateful to you for this. Thanks to this, your authority will become stronger and they will consider you the mentor who can always advise them.

In addition, you will feel the need for recognition. The boss appreciates your qualities, he just needs some time. His inspirations will certainly surprise you and eventually you will realize that it was worth being patient.

In this period you bring endless inspiration to your loved ones. In recent months, you have realized many things and you will feel the urge to share these messages further. Libra, however, must be careful not to bother others with this information. Not everyone is interested in it, and many people condemn anything outside of visible reality. Be understanding and don't hold anything back because you could lose even long-lasting friendships.

24/09-23/10

Aries



In November, Aries will focus on the financial part. You will try to develop new ways to achieve a higher income and put some money aside. You may underestimate the situation and act hastily, so don't be afraid to seek advice from someone you trust. Autumn is also a critical

Scorpio



You will not lack a sense of humor in November and you will delight others with funny stories and experiences.

Mercury will be the reason your verbal skills are excellent and you will communicate well. On the other hand, you may be too honest and cynical in some situations.

In any case, this is the ideal period to study and gain knowledge. You will be very focused and your mind will be tireless. It is possible that you will turn to some lesser known subjects, such as sex or esotericism or the universe.

During this period Scorpio will have so many obligations that it will be very difficult to deal with all the pressure. Workaholism is not a solution, however, so you need to slow down a bit. The cycle of events will manage without you for a while; your health is the most important thing. We recommend starting with some more flexible exercises, like yoga or pilates. That will help you get your shit together, making November much more relaxed.

24/10-22/11

time for your health. Your body is gradually getting used to the transition between seasons and it's best to help it do so. Take care of yourself and don't overdo it. In mid-November, there is a greater chance of migraines and toothaches.

November brings a powerful mental energy and so you will feel a lot of motivation, get new ideas and behave progressively. You will feel an overwhelming amount of

Capricorn



Even though most of the population has a bad mood in November, the opposite will be the case for Capricorn.

Even though the past year has been challenging, you will begin to think about the little things that make you happy. Your life is completely balanced, which on the other hand means a certain rut.

Venus will give you a tendency to reward yourself and you will tend to spend more money than usual. Occasionally this is not a bad thing. But if it means spending all your savings, it is still better to take a moment to think about whether it is a good thing.

Perhaps you are working on a plan for financial independence. Your fighting spirit and willpower are reaching their peak, but sometimes you stumble and feel like nothing matters. At these times, Capricorn should remember that the road to success is not easy. You can overcome all these obstacles with a little discipline, and November will bring you closer to job happiness and fulfillment.

23/11-21/12

inspiration, and your loved ones will soon notice. During this month, people born under this earth sign have an ideal time to start their own business. Aries is very ambitious, so the journey towards their goal will be very fulfilling for them.

21/03-

Aquarius



In November, Saturn's influence will manifest strongly. Even though it is not unusual for you, try to keep as much distance as possible from those around you. You will have no interest in the problems of others as you will focus mainly on your own thoughts. The melancholy of the end of the year will bring mostly thoughts about whether or not you have achieved your goals.

You will try to compensate for your bad mood and low self-esteem by purchasing possessions. Regardless of whether it is small purchases or real estate, you will not be able to stop yourself from buying and you will therefore buy everything that comes your way.

Beware of extreme impulsive behavior that November brings! Aquarius will feel a strong desire to overspend - if you can't control this urge, you could get into trouble. Before you buy anything, stop and ask yourself if you really need it. You probably have no idea about your budget; it will be out of control. We recommend buying only the most necessary goods, such as food.

22/12-20/01

Pisces



You will feel closer to your family in November. However, do not forget your relatives outside your family since you have not seen them for a long time. You will be in an ideal mood to rebuild relationships and you will all be eager to relive the good old days. Embarrassing situations can't upset you and you don't even have a problem with troublemakers.

In mid-November, the Moon will be in Pisces position and will therefore have quite an effect on you. There is an increased risk of injuries to your feet and legs, so it is better to stay at home and avoid strenuous sports. You have to take care of your health all year, but November will confirm that you can always do more. You will be overwhelmed by work, but you should know that health should be the top priority. We recommend exercising, whether it's something simpler like nature walks, dancing or strength training. Pisces also needs to evaluate their diet; if you often eat fast food, it's time to change that and start eating more real, whole foods.

21/01-19/02

Sagittarius



In November, it's best to keep the use of electronic devices to a minimum, as they can have a negative impact on your mood.

Even though it seems unlikely, social networking can drastically undermine your concentration and productivity. If you have an important project to complete, try to take advantage of relaxing walks in the park.

It's in the nature of Sagittarius to be frugal and invest in the happiness of their loved ones rather than their own comfort. However, it's best to pamper yourself this month. It will help you feel more comfortable and will boost your self-confidence.

During this time, you feel ready to radiate positive and affectionate energy. Your empathy is in full swing now and people come to you for advice - they feel you are the ideal person to help them get back on track. Sagittarius is now a psychologist and therapist to others. November will therefore be a pleasant time when you strengthen your trust with friends and family.

20/02-20/03

Taurus



In November, Taurus will try to shirk their responsibilities and change their lifestyle. This should not automatically be something negative or positive. Consider all the pros and cons and the people who will be affected by your choices. If you are trying to get away from problems, consider whether running away really helps or if it just postpones the problem. This month the full moon will be in the Taurus position, so be extra careful about the effects on your health. Try to avoid surgery or excessive fatigue and take your time to relax.

November makes you want to take care of yourself. If you wake up with a bad mood, exercise a little. The energy of this month will enhance

the benefits of exercise. Also, make sure you get enough vitamins and minerals. To strengthen the immune system, we recommend tablets with echinacea or grapefruit extract. During this period, Taurus will tend to feel uncomfortable internally, so it is necessary to do everything to minimize it.

21/04-21/05



Gemini



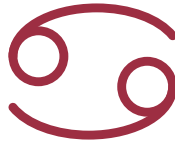
November is the Christmas month for Gemini. It is best not to wait until the last minute. By avoiding the Christmas

rush you can better safeguard your mental well-being which can be crucial for you in the coming weeks. You will be very reserved, responsible and financially caring about what you spend money on at this time. It is best not to skimp on the quality of your nutrition because your body deserves it for the holidays and on your mental development, in the form of educational courses, for example.

During this period, complete honesty is not a problem for you. If someone asks you for an opinion, you do not hesitate to tell the whole truth. November brings simple communication that Gemini will use at the maximum level. Your energy can attract like-minded people, but beware of false individuals who want to manipulate you for their own benefit. It is necessary to distinguish authenticity from falsehood.

22/05-21/06

Cancer



Cancers are full of energy in November. Mars will have a positive effect on you in several ways.

You will pursue your goals consistently and energetically, you will be able to manage your time smoothly and you will not lack for artistry.

At home, on the other hand, it's time to slow down. Your partner may not be able to follow you and that may disturb you. On top of that, you will also be prone to extreme jealousy and possessive amount which can lead to pointless disagreements.

Beware of excessive nervousness during this period. The universe has prepared many emotional challenges for you. Cancer will overcome them easily; provided they do not make a mountain out of a molehill. November is also great for work - your efforts will pay off and increased leadership skills can take you to the top. Be careful, however, that success doesn't take hold in your mind. Your loved ones may become afraid of your arrogant stress-related behavior.

22/06-23/07

Leo



In November, Leo will need a lot of rest and relaxation. The past year has not exactly been peaceful, so

you will enter this month tired and exhausted. Choose to get enough sleep or go to a spa. There is no doubt that your body needs this.

Your work performance is not super and you will be looking forward to the end of the year. Therefore, avoid major career changes and events as you cannot face them with your usual dedication.

November will make you very tired, even though there may be no obvious reason for this. Perhaps the pressure of the whole year is falling on you - after all, it was not easy for you. Don't forget to get plenty of rest. Every Leo should go through this period at a slowed down pace and not worry too much. It is a time of integration. Before you can shine again, it is necessary to recharge a little.

24/07-23/08

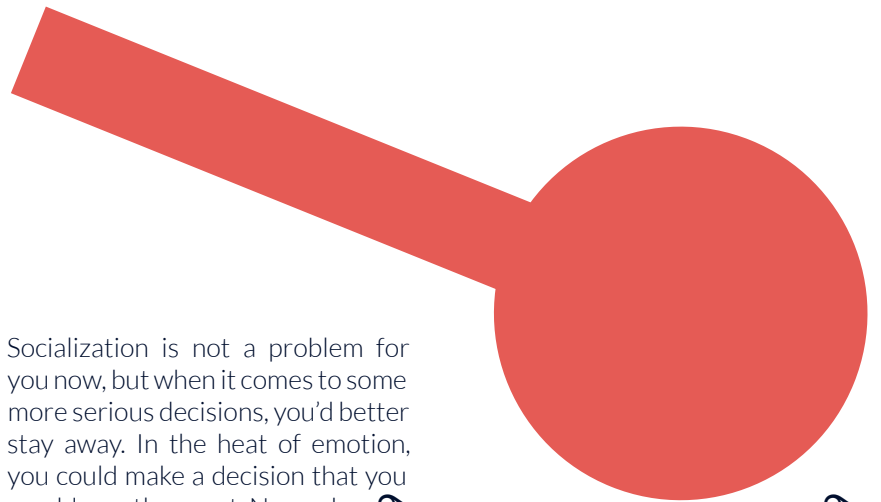
Virgo



Your opinions will have a big impact in November. Thanks to Mercury's influence, others will listen to

you and place great value on your opinion. For many, you will even become a role model, receiving recognition for your long-term achievements. Your creativity will be noticed, which will allow you to continually surprise with new ways to amaze others.

Virgos will also be excellent mentors this month. Your observation skills are sharpened and you will quickly discover how things work effectively. Your ability to comfort your loved ones with just words will be incredible.



Socialization is not a problem for you now, but when it comes to some more serious decisions, you'd better stay away. In the heat of emotion, you could make a decision that you would greatly regret. November will generate a certain dose of vindictiveness, so if you find out that someone did something behind your back, you want revenge. Remember that revenge is not always the best

solution. Virgo is a diplomatic sign by nature - consider whether revenge is beneath you.

24/08-23/09

24/08-23/09

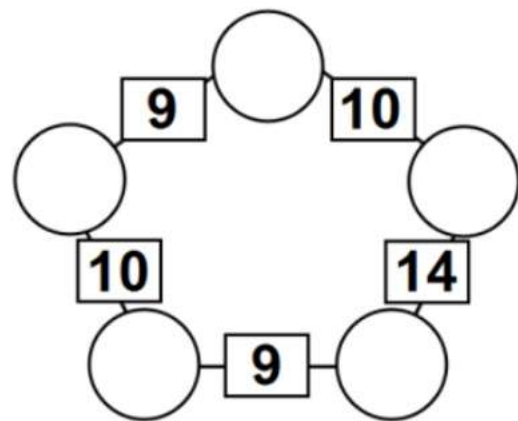
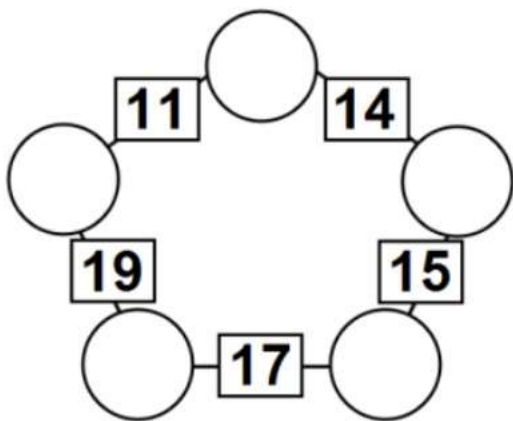
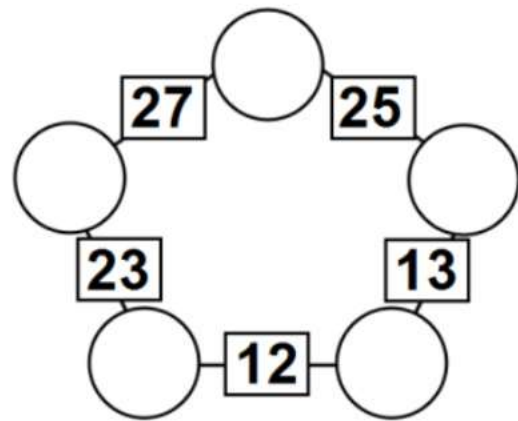
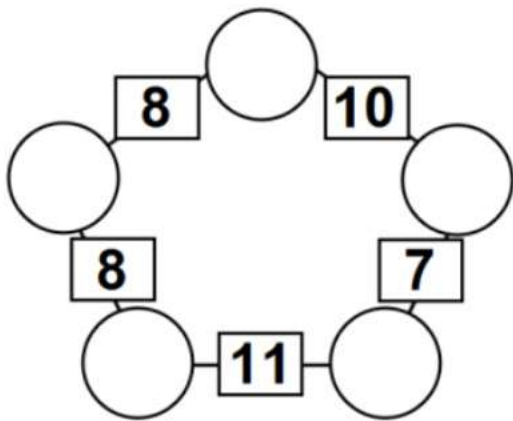
Puzzles

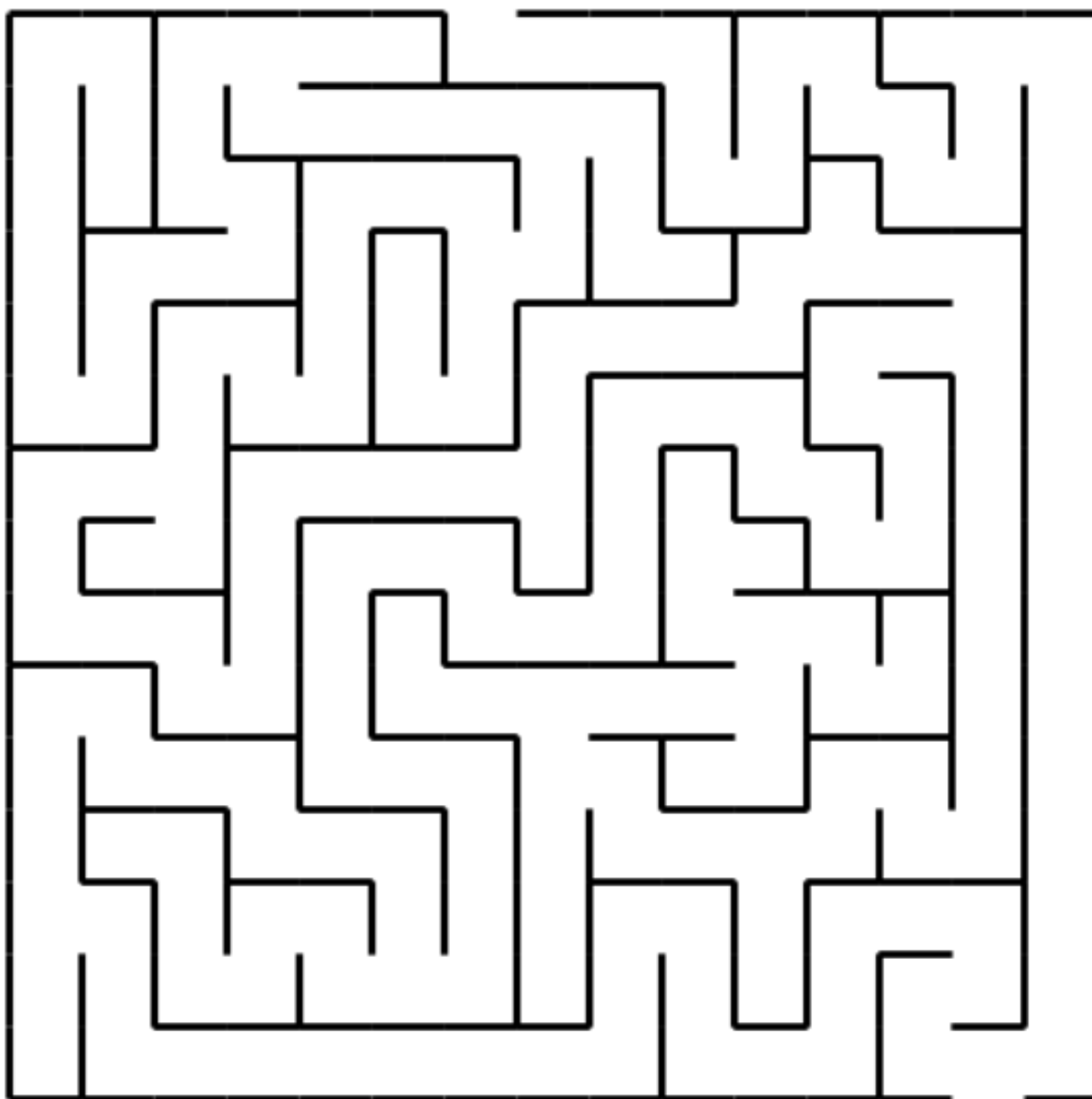
5	3			7				
6			1	9	5			
	9	8					6	
8				6				3
4			8		3			1
7				2				6
	6					2	8	
			4	1	9			5
				8			7	9

Would you like to contribute to this magazine? Send an email to communicatie@industria.be

Find which numbers go in the empty circles

Pentagon Arithmagons





SDG Conference

Heb jij ook bijna een ingenieursdiploma op zak, maar weinig idee hoe je er iets betekenisvol mee kan doen? Hoe ga je die theoretische wiskunde en wetenschap een duurzaam effect laten hebben op de wereld? Wij willen je graag mee begeleiden in die zoektocht! Op zaterdag 13 november 2021 organiseren BEST Gent en BEST Leuven samen een grote conferentie rond de 17 Sustainable Development Goals van de United Nations. De hele dag zal gevuld zijn met interactieve trainingen, case studies, paneldiscussies en coding challenges, telkens gebracht door een ander Europees bedrijf. Tijdens deze sessies zullen de verschillende bedrijven tonen hoe zij bijdragen aan de SDGs en wat jij kan doen om een verschil te maken. Je mag helemaal zelf je dag samenstellen door jouw voorkeuren mee te geven qua sessies en bedrijven. Doorheen de dag serveren we maaltijden gecaterd door lokale en duurzame bedrijven, wat je ook de kans biedt om kennis te maken met alle 350 deelnemende studenten van over heel Europa! De dag eindigt met een grote gezamenlijke receptie, waar alle studenten kunnen netwerken met de verschillende bedrijven via standjes verspreid over de zaal.



Deelname aan deze dag is bovendien volledig gratis. Het enige wat je moet is je CV en motivatiebrief doorsturen via onze inschrijvingsprocedure op de site. De plaatsen zijn beperkt, dus grijp zo snel mogelijk je kans om deel te nemen aan dit exclusief evenement! De SDG Conferentie is het grootste gebeuren dat BEST Gent en Leuven ooit georganiseerd hebben, maar daarnaast organiseren we jaarlijks ook tal van andere evenementen. Als je meer te weten wilt komen over onze Europese ingenieurscompetitie EBEC, onze zomercursussen, hackathons of trainingen over heel Europa, neem dan zeker eens een kijkje op onze website, Instagram of Facebook.



<https://sdgconference.eu/>



**Junior
ORSI
ACADEMY**

**UNITING STUDENTS
WITH A KEEN INTEREST
IN INNOVATION
IN HEALTHCARE**

4 TRACKS:

INNOVATION **ENGINEERING**

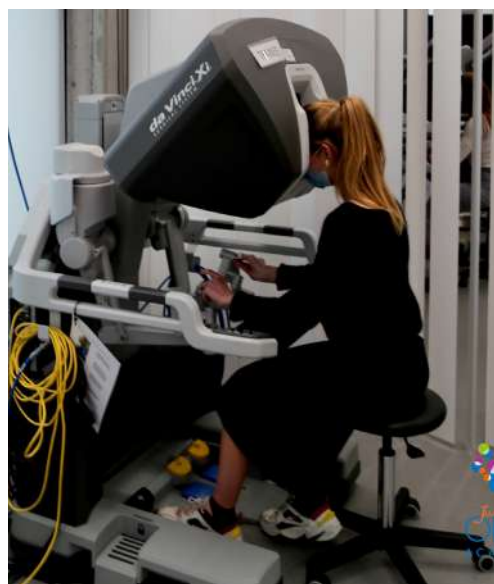
MEDICAL **DENTISTRY**

TOPICS

- INNOVATION
- HEALTHCARE
- ROBOTICS
- ARTIFICIAL INTELLIGENCE
- IMAGING
- SURGERY

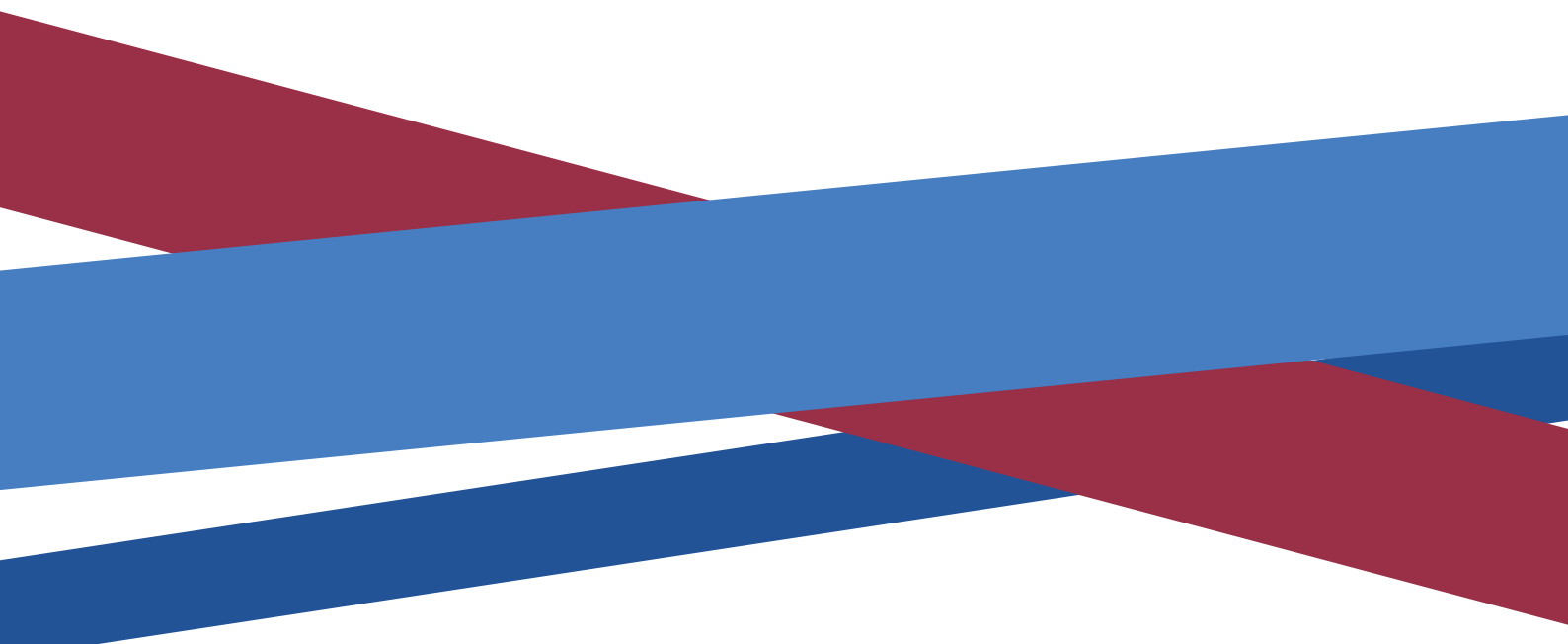
EVENTS

- WORKSHOPS
- INTERACTIVE LECTURES
- CASE COMPETITION
- CAREER DAY
- COMPANY VISITS
- HACKATHON



MORE INFO: WWW.JUNIORORSI.BE **f** : Junior Orsi **ig** : juniororsiacademy





Industria
Editie 1 | 2021/2022